



THREE-PHASE CAPACITORS



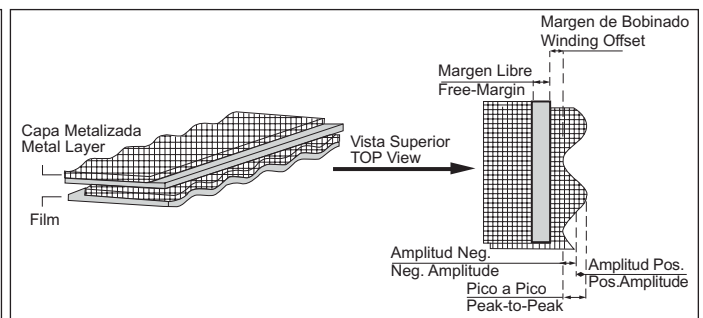
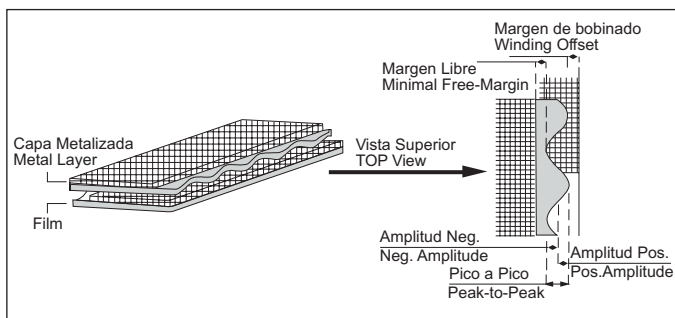
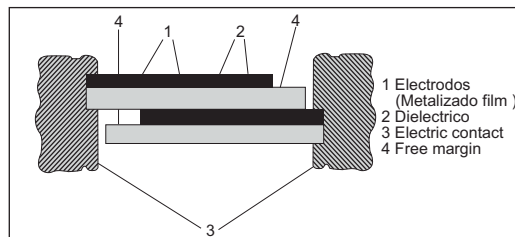
BHARTIA CUTLER-HAMMER

BCH ELECTRIC LIMITED
we care for you



BCH power capacitors are specially designed for reactive power factor correction using the highest quality raw materials, the most developed manufacturing process and according to international standards 60831-1-2.

BCH Capacitors are manufactured with low loss metalized self healing polypropylene film. The windings are placed in a cylindrical aluminum can and filled with an advanced polyurethane resin of great heat dissipation properties. An overpressure disconnection system is used to disconnect the capacitor in case of inadmissible working conditions caused by extreme electrical or thermal conditions.



Self-Healing Film

BCH Capacitors are manufactured with self-healing film. Due to extreme and inadmissible electrical working conditions a perforation breakdown may occur. The metalized area next to the feature is re-established, insulating the perforated area. After a self-healing the capacitor can still work in normal conditions.

Dry Type (Ecological Polyurethane Resin)

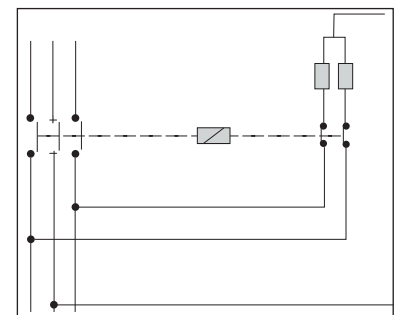
BCH dry type capacitors are filled with a non toxic and ecological polyurethane resin. BCH Capacitors resin provides an excellent heat dissipation properties, increasing the capacitor expected life.

Discharge Resistors

BCH Capacitors are delivered with discharge resistors able to discharge the capacitors to less than 75V within three minute.

Overpressure Disconnection System

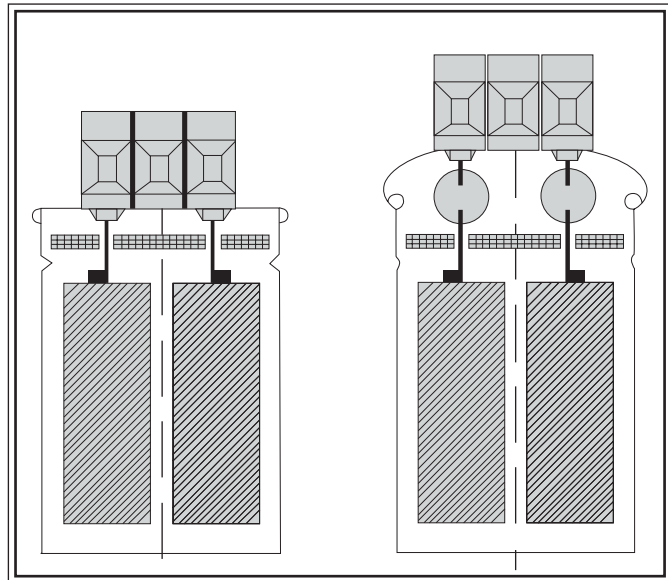
BCH Capacitors have been designed to be interrupted by an overpressure disconnection system. When the terminal cover expands, the internal connections are interrupted, Thus disconnecting the capacitor.



Three - Phase Capacitors

With Connector

Series MA/C/CE TER



Overpressure Disconnection System

TECHNICAL CHARACTERISTICS

Standard	EN 60831-1/2
Capacitance tolerance	-5% + 10%
Frequency	50Hz (60 Hz Upon request)
Temperature range	-25° C -55° C
Dielectric losses	≤ 0.5 W/KKV Ar
Maximum over voltage	1.1 x Un
Maximum over current	1.5 x In
Max. THD in voltage	2%
Max. THD in current	25%
Discharge resistance	Incorporated
Connection	Delta
Casing	Aluminium can
Disconnection system	Overpressure
Dielectric	Metallized polypropylene film
Voltage test between terminals	4.1 Un en DC
Voltage test terminals to case	3 KV for 1 minute AC
Terminal	Connector

Other voltage available on request: 230/400/415/480/525/690V

Industrial frequency "8 hours every 24 hours" of fluctuation and regulation of voltage, higher values may cause damages in capacitor

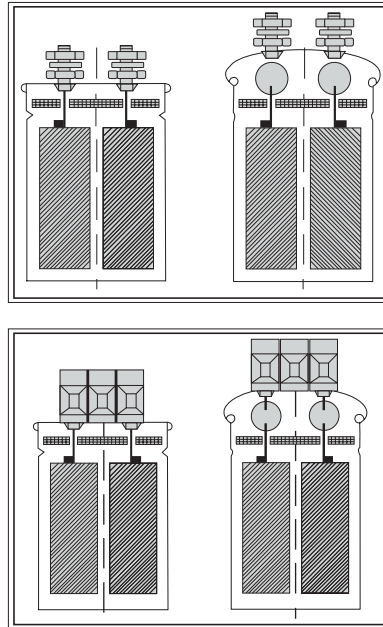
Reinforced Three - Phase Capacitors

Specially designed for harmonic filter applications

Series MA/C/CE RTF



MA/C/C/CE/RTF/TER



Overpressure Disconnection System

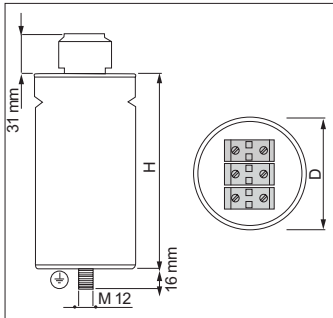


MA/C/C/CE/RTF

TECHNICAL CHARACTERISTICS

Standard	EN 60831-1/2
Capacitance tolerance	-5% + 10%
Frequency	50Hz (60 Hz Upon request)
Temperature range	-25° C -55° C
Dielectric losses	≤0.5 W/KKVA _r
Maximum over voltage	1.15 x U _n
Maximum over current	1.5 x I _n
Max. THD in voltage	3%
Max. THD in current	30%
Discharge resistance	Incorporated
Connection	Delta
Terminals	2x6,3 Qc; Stud M-5; M-6; M-8; Connector
Casing	Aluminium can
Disconnection system	Overpressure
Dielectric	Metallized polypropylene film
Voltage test between terminals	4.1 x U _n en DC
Voltage test terminals to case	3 KV for 1 minute AC
Terminal cover	Plastic cover

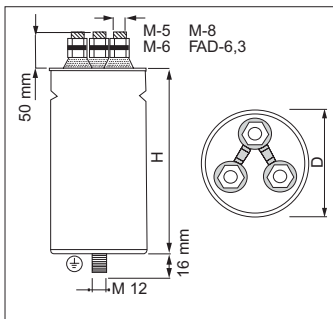
Dimensions (mm)



MAC/CE TER

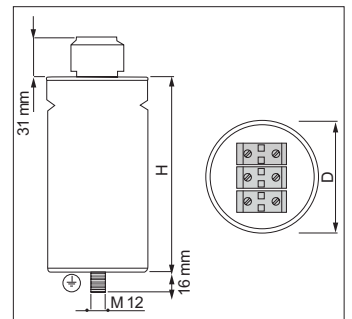
Power KVAR	Voltage V.c.a	Dimensions D X H (mm)
2.5	415 V	85 x 215
5	415 V	85 x 215
7.5	415 V	85 x 215
10	415 V	85 x 215
12.5	415 V	100 x 215
15	415 V	100 x 215
20	415 V	100 x 300
25	415 V	120 x 300
30	415 V	120 x 300

Other voltage available on request: 230/400/415/480/525/690V Industrial frequency "8 hours every 24 hours" of fluctuation and regulation of voltage, higher values may cause damages in capacitor



MAC/CE RTF

Power KVAR	Voltage V.c.a	Dimensions D X H (mm)
2.5	440 V	70 x 215
5	440 V	70 x 215
7.5	440 V	85 x 215
10	440 V	100 x 215
12.5	440 V	100 x 215
15	440 V	100 x 300
20	440 V	120 x 300
25	440 V	120 x 300
30	440 V	136 x 300



MAC/CE RTF

Ordering Codes

CAT. Reference	Details
MACCETER-2.5-440V	2.5 KVAR/440V/50 Hz
MACCETER-5-440V	5.0 KVAR/440V/50 Hz
MACCETER-7.5-440V	7.5 KVAR/440V/50 Hz
MACCETER-10.0-440V	10.0 KVAR/440V/50 Hz
MACCETER-12.5-440V	12.5 KVAR/440V/50 Hz
MACCETER-15-440V	15 KVAR/440V/50 Hz
MACCETER-20-440V	20 KVAR/440V/50 Hz
MACCETER-25-440V	25 KVAR/440V/50 Hz
MACCETER-30-440V	30 KVAR/440V/50 Hz

35/40/50 kvar available on request

Other voltage available on request: 230/400/415/480/525/690V

Industrial frequency "8 hours every 24 hours" of fluctuation and regulation of voltage, higher values may cause damages in capacitor

- Switchgear & Controlgear
- Automation
- Enclosures
- Electric Motors
- Wires & Cables
- Reactive Power Management
- Brakes and Crane Control
- Custom Built Products



BCH ELECTRIC LIMITED

Visit us at : www.bchindia.com

Corporate Office : 1105, New Delhi House, 27, Barakhamba Road, New Delhi-110 001 Tel. : 91-11-23316029/3610/6539/43673100 Fax : 91-11-23715247, 23313465 E-mail : marketing@bchindia.com

Registered Office : Block 1E, 216, Acharya Jagadish Chandra Bose Road, Kolkata - 700 017

Works : 20/4, Mathura Road, Faridabad-121 006 (Haryana) Tel. : 0129-4063000/4061026 Fax : 0129-2304024

Sales Offices :

Ahmedabad

93, City Centre,
Near Swastik Char Rasta,
C.G. Road, Navrangpura,
Ahmedabad- 380 009
Tel. : 079-26565719/40074482
Fax : 079-26565719
E-mail : ahmedabad@bchindia.com

Bangalore

B.M.H. Complex, 2nd Floor,
No. 22, Kengal Hanumanthiah Road,
Bangalore - 560 027
Tel. : 080-22273478/41144878/41144879
Tel. : 080-22236759
E-mail : bangalore@bchindia.com

Bhubaneswar

Plot No. 4708/1,
Gajapati Nagar,
Bhubaneswar - 751 005
Tel. : 0674-6540377/2301716
E-mail : bhubaneswar@bchindia.com

Chandigarh

SCO 121-22-23, 1st Floor,
Sector 34-A, Chandigarh - 160 022
Tel. : 0172-5078957/2666122
Fax : 0172-5049905
E-mail : chandigarh@bchindia.com

Chennai

LVR CENTRE, 3rd Floor,
No.7, Seshadri Road,
Alwarpet, Chennai - 600 018
Tel. : 044-24997042/24997002
Fax : 044-24996853
E-mail : chennai@bchindia.com

Coimbatore

87, Dr. Nanjappa Road,
Coimbatore - 641 018
Tel. : 0422-2305311
Fax : 0422-2302599
E-mail : coimbatore@bchindia.com

Dehradun

8, Cooperative Industrial Estate,
Patel Nagar, Dehradun - 248 001
Uttarakhand
Tel. : 0135-2724803
Telefax : 0135-2626652
E-mail : dehradun@bchindia.com

Faridabad

20/4, Mathura Road,
Faridabad - 121 006 (Haryana)
Tel. : 0129-4083007
E-mail : faridabad@bchindia.com

Gurgaon

SF-203, Navkriti Arcade, Block-A,
Sushant Lok, Phase-II, Sec.55,
Gurgaon - 122 001 (Haryana)
Tel. : 95124-4210525
Fax : 95124-2572044
E-mail : gurgaon@bchindia.com

Guwahati

2nd Floor, Maya Ville,
Borthakur Mill Road, Ulubari,
Guwahati - 780 007
Tel. : 0361-2452026/27
Fax : 0361-2452026
E-mail : guwahati@bchindia.com

Hospet

940C, Third Cross,
Third Ward, Patel Nagar,
Station Road,
Hospet - 583 201
E-mail : hospet@bchindia.com

Hyderabad

210, Prajey Corporate House,
1-10-63 & 64, Chikoti Garden,
Begumpet, Hyderabad - 500 016
Tel. : 040-66206263/27763325
Fax : 040-66207273
E-mail : hyderabad@bchindia.com

Indore

330-331, Indraprastha Tower,
3rd Floor, 6, M.G. Road,
Indore - 452 001
Tel. : 0731-2510011
Fax : 0731-2510012
E-mail : indore@bchindia.com

Jaipur

25, Hathroi, Gopalbari,
Jaipur - 302 001
Tel. : 0141-5104521
Fax : 0141-2363521
E-mail : jaipur@bchindia.com

Jamshedpur

3rd Floor, Aastha Trade Centre,
'Q' Road, Bistupur,
Jamshedpur - 831 001
Tel. : 0712-2041518
E-mail : jamshedpur@bchindia.com

Kolkata

East India House, 3rd Floor,
20-B, Abdul Hamid Street,
Kolkata - 700 069
Tel. : 033-22138508-12
Fax : 033-22138511
E-mail : kolkata@bchindia.com

Lucknow

Madan Plaza, 3rd Floor,
14, Station Road,
Lucknow - 226 001
Tel. : 0522-4025597/4025997
Fax : 0522-4025697
E-mail : lucknow@bchindia.com

Ludhiana

S.C.O. - 18, 2nd Floor,
Indira Gandhi Vyavasayik Parisar,
Feroze Gandhi Market,
Ludhiana - 140 001
Tel. : 0161-5021807/5022808
Fax : 0161-5021807
E-mail : ludhiana@bchindia.com

Madurai

E-168/69, Santanam Road,
TVS Nagar, Madurai - 625 003
Tel. : 0452-2692522 / 2692622
Fax : 0452-2692822
E-mail : madurai@bchindia.com

Mumbai

A-151, Mittal Tower,
Naniman Point,
Mumbai - 400 021
Tel. : 022-22822947/22826039
Fax : 022-22822858
E-mail : mumbai@bchindia.com

Nagpur

3rd Floor, "Paradise Plaza",
Kadbi Chowk,
Nagpur - 440 004,
Tel. : 0712-2041518
Telefax : 0712-2041670
E-mail : nagpur@bchindia.com

New Delhi

801, Akash Deep,
26A, Barakhamba Road,
New Delhi - 110 001
Tel. : 011-23313878/66307065
Fax : 011-23739230
E-mail : delhi@bchindia.com

Pune

8, Sarosh Bhavan,
16-B/1, Dr. Ambedkar Road,
Pune - 411 001
Tel. : 020-26052590
Telefax : 020-26135224
E-mail : pune@bchindia.com

Raipur

2nd Floor, Building No. B-234,
Indira Gandhi Vyavasayik Parisar,
Pandri, Raipur - 492 004
Tel. : 0771-4020213
Fax : 0771-2582680
E-mail : raipur@bchindia.com

Surat

601/A, 21st Century Business
Centre, Ring Road,
Surat - 395 002
Tel. : 0261-2331840
Fax : 0261-2331841
E-mail : surat@bchindia.com

Trichy

Kingston Park, Second Floor,
19/1, Puttur High Road,
Ramalinga Nagar,
Trichy - 620 003
Tel. : 0431-4040497
E-mail : trichy@bchindia.com

Vadodara

101, Toran Complex,
Vikas Nagar, Old Padra Road,
Vadodara - 390 020
Tel. : 0265-2345069
0265-6548444 (Direct)
Telefax : 0265-2345066,
E-mail : vadodara@bchindia.com

Resident Engineer Locations

Ambala	Chandrapur	Jabalpur	Mysore	Salem
Baddi	Cuttack	Jalandhar	Nav Mumbai	Siliguri
Belgaum	Durgapur	Korba	Patna	Trivandrum
Bhilai	Ghaziabad	Kota	Pondichery	Tinsukia
Bhiwadi	Gwalior	Mangalore	Rajkot	Udaipur
Bhopal	Haldwani	Mehsana	Rourkela	
Bhubaneswar	Haridwar	Muzaffarnagar	Solapur	

Since product improvement is a continuous process, the data furnished in this brochure may undergo revision without prior notice.