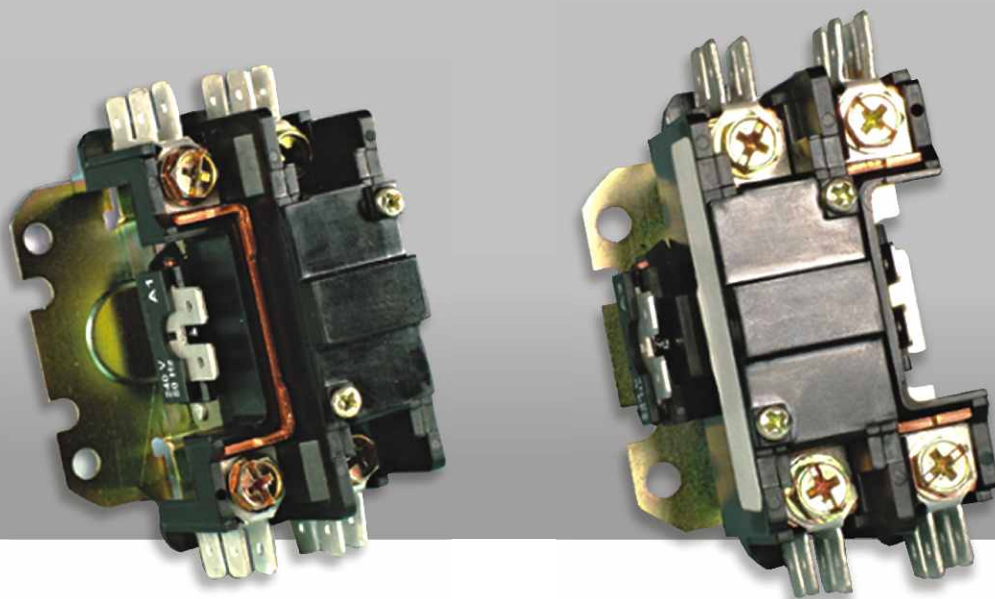


Definite Purpose Contactors



Features

Compact Size Quick connect terminations Heavy duty , weld-resistant Contacts Low VA Coils

Technical Specifications

General

Pollution Degree	:	2
Operating Temperature	:	-5° C to + 55° C
Reference Standard	:	IEC 60947-4-1/IS 13947-4-1
Contact System	:	Double Brake
Coil Insulation	:	Class B 130° C

	CPD251C*	CPD251NC*	CPD401C*	CPD401NC*
Operating Voltage (V)	415	415	415	415
Rated Current I _e AC3(A)	25	25	40	40
Rated Thermal Current I _{th} (A)	40	40	40	40
Number of Poles	1	1 with solid neutral link	1	1 with solid neutral link
Rated Insulation voltage (Ui)	690V	690V	690V	690V
With Connectors	Yes	Yes	Yes	Yes

* Coil voltage: K = 240VAC , A = 110 VAC , U = 24VAC



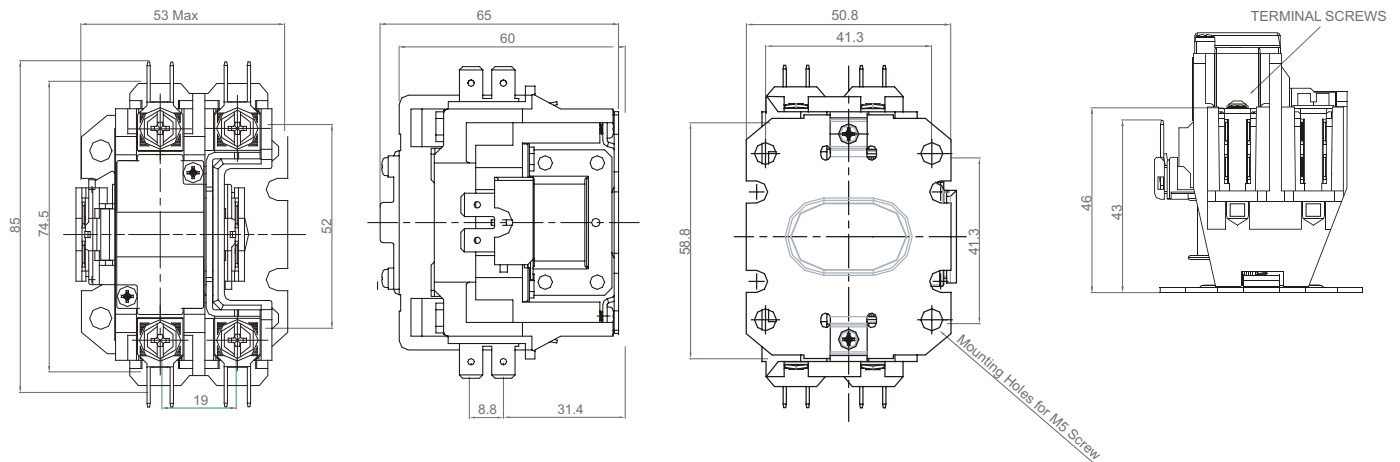
BCH ELECTRIC LIMITED
we care for you

Definite Purpose Contactors

Mounting & Connections

Mounting	:	4 Screws (M5)
Dimensions	:	41.3mm x 41.3mm
Coil terminals	:	Quick connect terminals (Dual ¼ inch both sides)
Power terminals	:	M5 Hex washer head screw
Terminal wire range	:	6mm ² to 10mm (Copper Conductor)

Dimensions (mm)



OVERALL & MOUNTING DIMENSIONS OF 1 POLE DEFINITE PURPOSE CONTACTOR

ALL DIMENSIONS ARE IN mm

BCH ELECTRIC LIMITED

Visit us at : www.bchindia.com

Corporate Office : 1105, New Delhi House, 27, Barakhamba Road, New Delhi - 110 001 Tel. : 91-11-23316029/3610/6539/43673100 Fax : 91-11-23715247, 23313465 E-mail : marketing@bchindia.com

Registered Office : Block 1E, 216, Acharya Jagadish Chandra Bose Road, Kolkata - 700 017

Works : 20/4, Mathura Road, Faridabad - 121 006 (Haryana) Tel. : 0129-4063000/4061026 Fax : 0129-2304024

Sales Offices :

Ahmedabad
93, City Centre,
Near Swastik Char Rasta,
C.G. Road, Navrangpura,
Ahmedabad- 380 009
Tel. : 079-26565719/40074482
Fax : 079-26565719
E-mail : ahmedabad@bchindia.com

Bangalore
B.M.H. Complex, 2nd Floor,
No. 22, Kengal Hanumanthiah Road,
Bangalore - 560 027
Tel. : 080-22273478/41144878/41144879
Tel. : 079-26565719/40074482
Fax : 080-22236759
E-mail : bangalore@bchindia.com

Bhubaneswar
Plot No. 4708/1,
Gajapati Nagar,
Bhubaneswar - 751 005
Tel. : 0674-6540377/2301716
E-mail : bhubaneswar@bchindia.com

Chandigarh
SCO 121-22-23, 1st Floor,
Sector 34-A, Chandigarh - 160 022
Tel. : 0172-5078957/2666122
Fax : 0172-5049905
E-mail : chandigarh@bchindia.com

Chennai
LVR CENTRE, 3rd Floor,
No.7, Seshadri Road,
Alwarpet, Chennai - 600 018
Tel. : 044-24997042/24997002
Fax : 044-24996853
E-mail : chennai@bchindia.com

Cochin
2nd Floor, 32/1495,
B-1, Chakos Chambers,
By Pass Junction, Palairavom
Cochin - 682 025
Tel. : 0484-6593697/2343080
E-mail : cochin@bchindia.com

Coimbatore
87, Dr. Nanjappa Road,
Coimbatore - 641 018
Tel. : 0422-2305311
Fax : 0422-2302599
E-mail : coimbatore@bchindia.com

Dehradun
8, Cooperative Industrial Estate,
Patel Nagar, Dehradun - 248 001
Uttarakhand
Tel. : 0135-274803
Telefax : 0135-262652
E-mail : dehradun@bchindia.com

Faridabad
20/4, Mathura Road,
Faridabad - 121 006 (Haryana)
Tel. : 0129-4083007
E-mail : faridabad@bchindia.com

Gurgaon
SF-203, Navkriti Arcade, Block-A,
Sushant Lok, Phase-II, Sec.55,
Gurgaon - 122 001 (Haryana)
Tel. : 95124-4210525
Fax : 95124-2572044
E-mail : gurgaon@bchindia.com

Guwahati
2nd Floor, Maya Ville,
Borthakur Mill Road, Ulubari,
Guwahati - 780 007
Tel. : 0361-2452026/27
Fax : 0361-2452026
E-mail : guwahati@bchindia.com

Hospet
940C, Third Cross,
Third Ward, Patel Nagar,
Station Road,
Hospet - 583 201
Tel. : 0522-4025597/4025997
Fax : 0522-4025697
E-mail : hospet@bchindia.com

Hyderabad
210, Prajaya Corporate House,
1-10-63 & 64, Chikoti Garden,
Begumpet, Hyderabad - 500 016
Tel. : 040-66206263/27763325
Fax : 040-66207273
E-mail : hyderabad@bchindia.com

Indore
330-331, Indraprastha Tower,
6, M.G. Road, Indore - 452 001
Tel. : 0731-2510011
Fax : 0731-2510012
E-mail : indore@bchindia.com

Jaipur
25, Hathroi, Gopalbari,
Jaipur - 302 001
Tel. : 0141-5104521
Fax : 0141-2363521
E-mail : jaipur@bchindia.com

Jamshedpur
3rd Floor, Aastha Trade Centre,
QJ Road, Bistupur,
Jamshedpur - 831 001
Tel. : 0657-2756171/2756157
Fax : 0657-2320788 PP
E-mail : jamshedpur@bchindia.com

Kolkata
East India House, 3rd Floor,
20-B, Abdul Hamid Street,
Kolkata - 700 009
Tel. : 033-22138508-12
Fax : 033-22138511
E-mail : kolkata@bchindia.com

Lucknow
Madan Plaza, 3rd Floor,
14, Station Road,
Lucknow - 226 001
Tel. : 0522-4025597/4025997
Fax : 0522-4025697
E-mail : lucknow@bchindia.com

Ludhiana
S.C.O. - 18, 2nd Floor,
Feroze Gandhi Market,
Ludhiana - 140 001
Tel. : 0161-5021807/5022808
Fax : 0161-5021807
E-mail : ludhiana@bchindia.com

Madurai
E-168/69, Santanam Road,
TVS Nagar, Madurai - 625 003
Tel. : 0452-2692522 / 2692822
Fax : 0452-2692822
E-mail : madurai@bchindia.com

Mumbai
A-151, Mittal Tower,
Nariman Point,
Mumbai - 400 021
Tel. : 022-22822947/22826039
Trichy - 620 003
Tel. : 0431-4040497
E-mail : mumbai@bchindia.com

Nagpur
3rd Floor, "Paradise Plaza",
Kadbi Chowk,
Nagpur - 440 004,
Tel. : 0712-2041518
Telefax : 0712-2041670
E-mail : nagpur@bchindia.com

New Delhi
801, Akash Deep,
26A, Barakhamba Road,
New Delhi - 110 001
Tel. : 011-23313878 / 66307065
Fax : 011-23739230
E-mail : delhi@bchindia.com

Pune
8, Sarosh Bhavan,
16-B/1, Dr. Ambedkar Road,
Pune - 411 001
Tel. : 020-26052590
Telefax : 020-26135224
E-mail : pune@bchindia.com

Raipur
2nd Floor, Building No. B-234,
Indira Gandhi Vyasasayik Parisar,
Pandi, Raipur - 492 004
Tel. : 0771-4020213
Fax : 0771-2582680
E-mail : raipur@bchindia.com

Surat
601/A, 21st Century Business Centre,
Ring Road,
Surat - 395 002
Tel. : 0261-2331840
Fax : 0261-2331841
E-mail : surat@bchindia.com

Trichy
Kingston Park, Second Floor,
19/1, Puttur High Road,
Ramalinga Nagar,
Trichy - 620 003
Tel. : 0431-4040497
E-mail : trichy@bchindia.com

Vadodara
101, Toran Complex,
Vikas Nagar, Old Padra Road,
Vadodara - 390 020
Tel. : 0265-2345069
Tel. : 0265-6548444 (Direct)
Telefax : 0265-2345068,
E-mail : vadodara@bchindia.com

Vishakapatnam
Dr. No. 32-10-1, Flat No. 406,
GR Sundar Vinayaka Enclave,
Venkateswara Colony,
Sheela Nagar, Vizag - 530 012
E-mail : vizag@bchindia.com

Resident Engineer Locations

Ambala	Chandrapur	Jabalpur	Mysore	Salem
Baddi	Cuttack	Jalandhar	Navi Mumbai	Siliguri
Belgaum	Durgapur	Korba	Patna	Trivandrum
Bhilai	Ghaziabad	Kota	Pondichery	Tinsukia
Bhiwadi	Gwalior	Mangalore	Rajkot	Udaipur
Bhopal	Haldwani	Mehsana	Rourkela	
Bhubaneswar	Haridwar	Muzaffarnagar	Solapur	

Since product improvement is a continuous process, the data furnished in this brochure may undergo revision without prior notice.